

Owner's Instructions



Part No.	Description
L8654FZLI	1/4" Flexzilla® Air Hose
L8651FZLI	3/8" Flexzilla® Air Hose

Part No. : L8651FZ & L8654FZ

Zilla Reel™ Manual Flexzilla® Air Hose Reel with Flexzilla® Air Hose

CAUTION: Inspect hose before each use. Do not exceed 300 psi working pressure. Do not kink, twist, knot or abrade hose. Do not wrap hose around body. Keep hose away from hot surfaces and/or chemicals. Keep children away from work areas.

CAUTION: Read all instructions and warnings before operating this product.

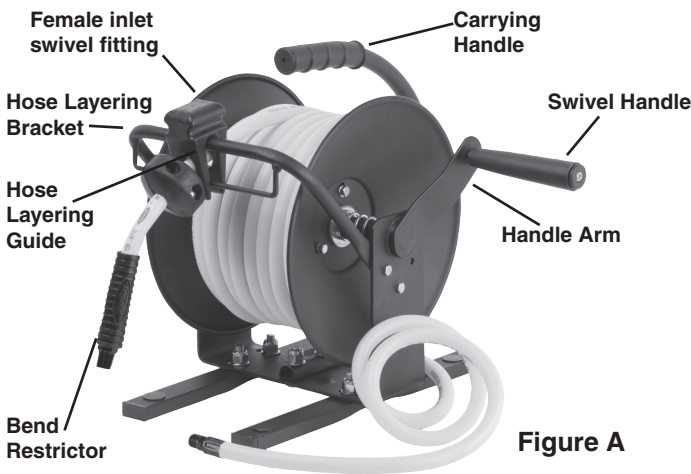
SAVE THESE INSTRUCTIONS! READ AND UNDERSTAND ALL INSTRUCTIONS!

CARTON CONTENTS:

- Hose Reel assembly
- Curved carry handle and grip (2 medium bolts/nuts)
- Support legs (4 long bolts/nuts)
- Flexzilla® air hose
- Lead-in hose
- Inlet swivel
- Swivel (to connect lead-in hose)
- Swivel handle (bolt & nut, for winding lever)
- Hose stopper (2 small bolts/nuts)
- Hose layering guide
- Hose layering bracket (4 small bolts/nuts)

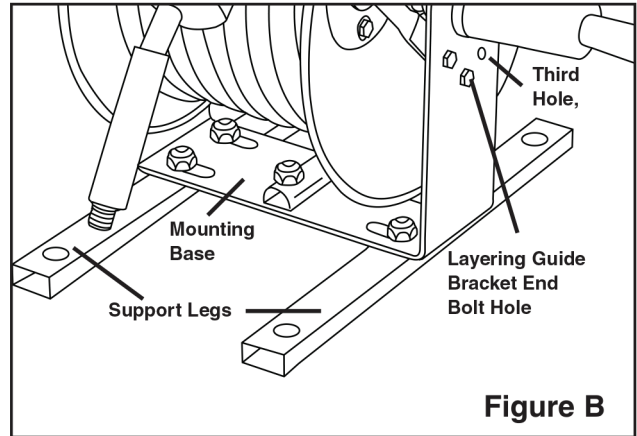
ASSEMBLY:

SEE PAGE 2 for full assembly instructions



5. USING GROUND STAKES: (Stand-alone position)

- Four large holes are provided at the ends of the support legs for use with ground stakes (not included) to reduce movement when placing reel on ground.



OPERATION:

HOSE LAYERING GUIDE: Using the hose layering guide will help reduce hose tangles by distributing the hose evenly during hose rewinding. Place one hand on the hose layering guide and slide it back and forth while retracting the hose.

FOR WALL OR OVERHEAD INSTALLATION :

1. Change the layering guide bracket position by removing the two bolts where the layering guide bracket bolts to the side of the mounting base. (See figure above)
2. Reattach the layering guide bracket using the same bracket end hole and the third hole in the side of the mounting base. Tighten bolts securely.

The hose layering guide may be removed if desired by removing the hose stopper and retracting hose through the layering guide. Replace the hose stopper on the hose.

WARNING: This product contains one or more chemicals known to the State of California to cause cancer and birth defects or other reproductive harm. Wash hands after handling.

3. BENCH, WALL, OR TRUCK MOUNTING: For mounting to wall or bench surface, mount reel using the four outer holes in the mounting base. Mounting fasteners not included. Reel can be mounted to truck with or without support legs.

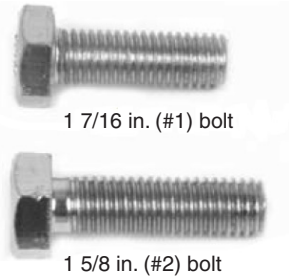
4. MOBILE USE: Fasten the support legs so the shorter end of each leg is toward the back of the reel.

- Use four short bolts (included). Insert bolts first through the recesses on bottom of support legs, then through outer pair of holes in reel mounting base. Secure with lock nuts.
- Use two long bolts (included). Insert bolts through handle bolt holes and then through center holes in mounting base. Secure with lock nuts.
- Fit cushion grip to free end of carry handle.

Repair Parts	Description
L8654FZLI	5' x 1/4" Lead-in hose
L8651FZLI	5' x 3/8" Lead-in hose
RP004068	Swivel body assembly for hose

Assembly:

Small Component list



Tools suggested: 2 adjustable wrenches, 10mm wrench, phillips screwdriver

1. Attach support legs to mounting base, requires 4 (#1) bolts and 4 large lock nuts & washers. See Figure 1, also refer to Figure A & B illustration on page 1.
2. Attach hose layering bracket to mounting base, requires 4 (#4) bolts and 4 small lock nuts / washers. See Figure 2, also refer to Figure A illustration on page 1.
3. Open the air hose assembly and remove 1 of the black bend restrictors from the end of the hose and discard.
4. Place the hose layering guide onto the hose layering bracket, see Figure 3, also refer to Figure A illustration on page 1.
5. Place end of hose through hose layering guide. Now place spring onto that same hose end. See Figure 3
6. Apply thread tape on the hose end fitting that has the spring. Now securely tighten the hose end with spring onto the 90° brass elbow fitting, see Figure 3.
7. Once hose end with spring is securely tightened, push spring up the hose until it comes in contact with the 90° brass elbow fitting .
8. Now attach the swivel handle. Place the threaded end of handle through hole on the handle arm. Refer to Figure A illustration on page 1. Place lock nut washer on threaded end first, followed by a regular washer and small hexagon nut. Tighten the lock nut until handle is secured.

DO NOT WIND UP HOSE ASSEMBLY YET.

9. Attach carrying handle to mounting base, flat part of carrying handle should be placed on top of mounting base as shown in Figure 4. Requires 2 (#2) bolts and 2 large lock nuts / washers.
10. After carrying handle is assembled, use swivel handle to wind hose onto reel use layering guide to wind hose evenly on reel.
11. Take both hose stopper halves and place around hose about 4-5 in. down the hose end that has bend restrictor on it. Use 2 phillip screws and 2 small hexagon nuts. Locking nuts should go into the designated hexagon holes on the hose stopper. Tighten hose stopper using phillips screwdriver to make hose stopper stay at the desired position.
12. Place thread tape on male end of inlet swivel. Now place male end of inlet swivel into the female end on the side of the mounting base, see Figure 5. Tighten securely with wrench.
13. Apply thread tape to both ends of the 5 ft. lead-in hose. Tighten one of the male hose ends into the inlet swivel on the side of the mounting base.

